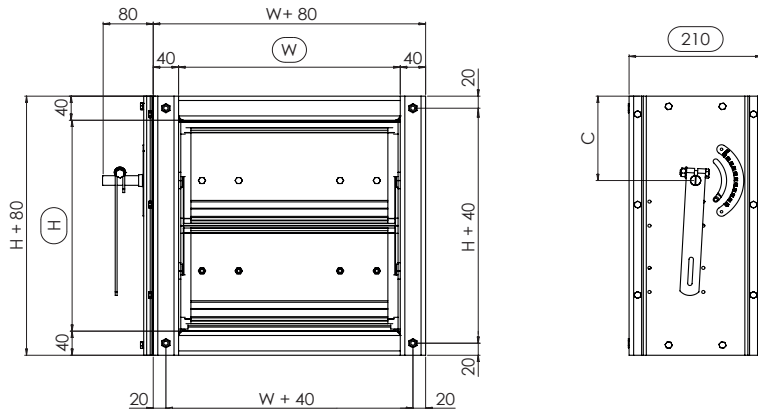


SHUT OFF DAMPER

RKE

The industrial dampers type RKE are designed to shut-off HVAC ductworks. The RKE range is suitable for large-sized ventilation networks (up to 2 000 x 2 000 mm).



AIR MANAGEMENT

CHARACTERISTICS

		RKE
Upstream/downstream airtightness according to EN 1751		Class 3
Frame airtightness according to EN 1751		Class A <i>Option</i> : Class C
Frame	Material	Galvanized steel <i>Option</i> : stainless steel AISI 304 L or 316 L
	Thickness	3 mm
	Depth	210 mm
	Flange	40 mm <i>Option</i> : flange according to ISO 15138
	Drilling	Ø10 in angles <i>Option</i> : drilling according to ISO 15138 - Special drilling on request
Blades	Material	Galvanized steel <i>Option</i> : stainless steel AISI 304 L or 316 L
	Thickness	2 x 1.5 mm
	Height	150 mm
	Bearings	Teflon bearings with zinc-plated steel cage <i>Options</i> : stainless steel cage, bronze bearings
	Shafts	zinc-plated steel Ø 15 mm <i>Option</i> : AISI 304L - 1.4307 or AISI 316L - 1.4404 stainless steel
Seals		EPDM seal on blades and frame <i>Option</i> : silicone seals for resistance up to 200 ° C
Linkage		Opposed blade operation in zinc-plated steel <i>Option</i> : stainless steel AISI 304 L or 316 L
Control		Manual : smooth shaft Ø16 - lever and locking device Suitable for actuator : smooth shaft Ø16 - length 130 mm Special adaptation according to the actuator
Dimensions		Width W from 400 to 2 000 mm with a 50 mm pitch Height H from 400 to 2 000 mm with a 50 mm pitch Circular adaptation from Ø100 to Ø1250 mm

SHUT OFF DAMPER

RKE

WEIGHT (Kg)

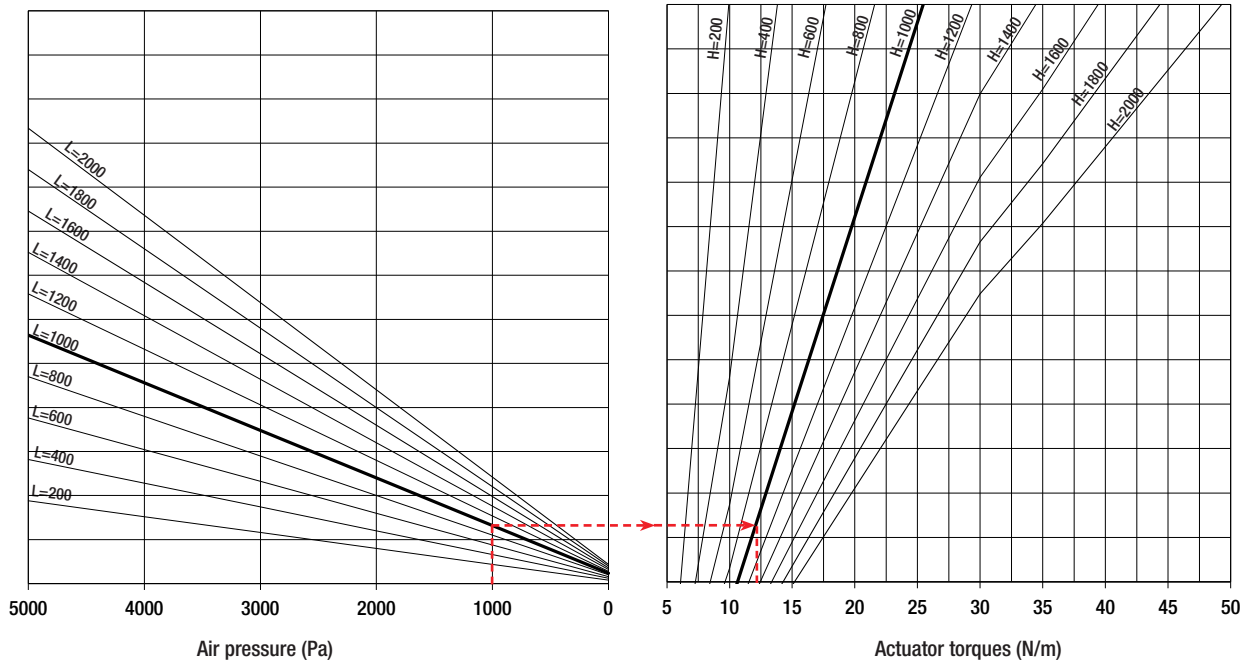
L \ H	400	600	800	1000	1200	1400	1600	1800	2000
400	20	25	29	33	38	42	47	51	55
600	29	35	41	47	53	59	65	71	77
800	35	42	49	56	62	69	76	83	90
1000	41	49	56	64	72	79	87	94	102
1200	50	59	68	77	87	96	105	114	124
1400	56	66	76	86	96	106	116	126	136
1600	62	72	83	94	105	116	127	138	148
1800	70	83	95	108	120	133	145	158	170
2000	76	90	103	116	129	143	156	169	183

MOTOR TORQUE (Nm)

In order to determine the motor torque, consider the maximum accidental pressure.

The design must include a safety coefficient.

0° = damper fully open



RKE damper

Ex :

$\Delta P = 1000 \text{ Pa}$

Damper :

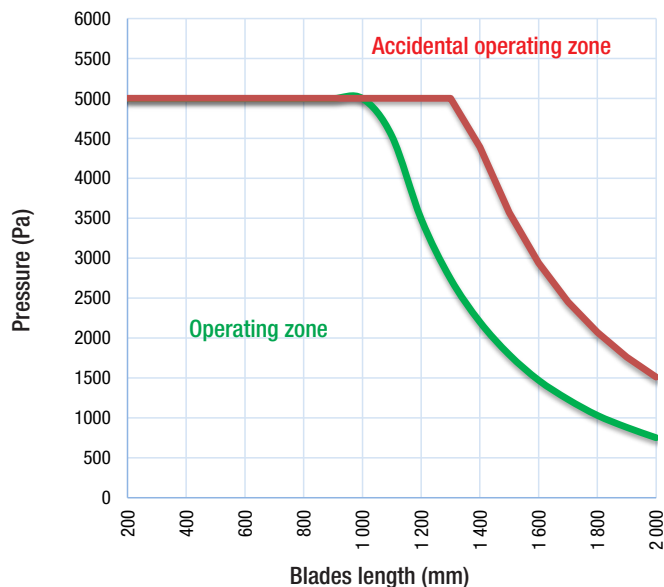
L 1000 x H=1000

=> Cm = 12,5 Nm

SHUT OFF DAMPER

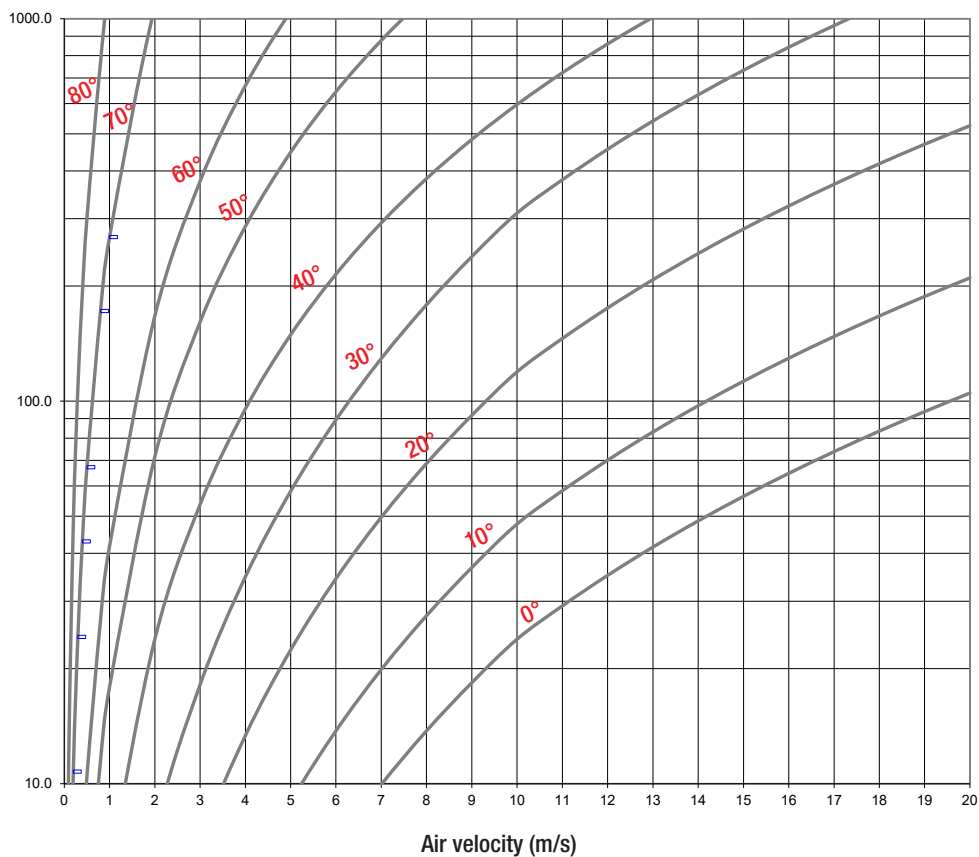
RKE

MECHANICAL RESISTANCE



PRESSURE LOSS

Pressure loss (Pa) according to air velocity (m/s) and blades' opening angle (°). Damper ducted upstream and downstream. 0° = damper fully open

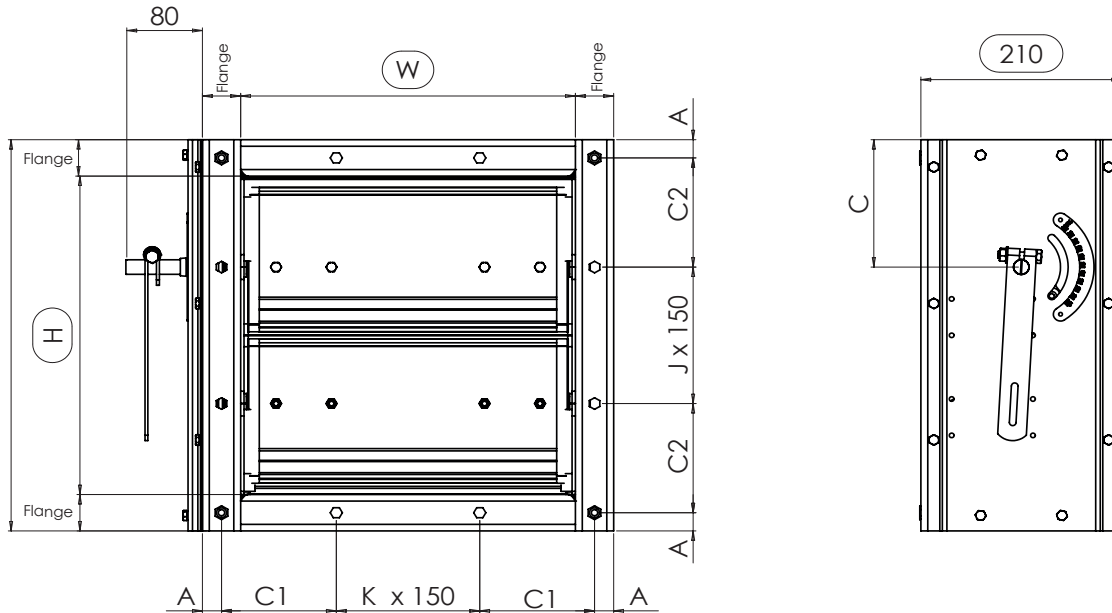


ERIRKE_10/2020_EN. Information and data can not be considered as contractual. Design and data changes may occur without notice during F2A's continuous product development.

SHUT OFF DAMPER

RKE

ISO 15138 FLANGE AND DRILLING



ISO 15138	Flange width	A	C1 / C2	Hexagonal	Bolts for damper mounting
L ou H ≤ 350	40 mm	20 mm	75 < Cx ≤ 150	11	M8
L ou H > 350 ≤ 1000	50 mm	20 mm	75 < Cx ≤ 150	13	M10
L ou H > 1000	80 mm	40 mm	75 < Cx ≤ 150	16	M12